



## PRIME 750

### Stay powered, anywhere!

Prime 750 is a portable energy solution developed to supply reliable power in all situations, even in extreme weather conditions.

The compact and durable construction, with a robust grip, makes it easy to carry around and use in places without access to fixed power outlets. PRIME 750 is ideal for indoor and outdoor applications; including construction sites, camping sites, engineering and emergency operations. Its advanced Li-Ion battery technology with high energy density, provides a powerful low-weight energy solution.

## FEATURES

- **Durable construction** for reliable operation even in difficult weather conditions
- **Effective inverter**, reliable and efficient power supply with different loads
- **Long life** - The advanced lithium ion cells ensure a long-term sustainable solution
- **Compact design (7,6 kg)** - easy to move and transport
- **Lithium battery** with high energy density and low weight
- **Extremely quiet** and environmentally friendly
- **Built-in spotlight**
- **Flexible connectivity options** (see specifications for more information)

## APPLICATIONS



Carpenters, construction workers and craftsmen



Portable power in home and garden



Emergency, rescue and security



Workplaces / Temporary workplaces



Camping, fishing, concerts and festivals



Photography

Contact your local office or visit [gpbmindustry.com](http://gpbmindustry.com) if you have any questions.

# SPECIFICATIONS

## Battery

Battery Type	Li-ion battery
Battery Capacity	756Wh (25,2V, 30Ah)
Cycle Life	>1500

## Input

AC Wall Charging	29,4V 5A (Full Charged Approx. 5 hours)
Solar Charging	30-36V / Max. power up to 200W

## AC Output

Total Port	2 x AC Ports
Rated Power	500W (Pure Sine Wave)
Instant Peak Power	2500W
Voltage Frequency	230V/50Hz ; 110V/60Hz

## DC Output

	1 x 5V 1A
USB Port	1 x 5V 2A
	1 x 5V 2.4A (Fast Charge)
Cigarette Lighter Socket	1 x 12V/60W
DC Port	2 x 12V 2.5A

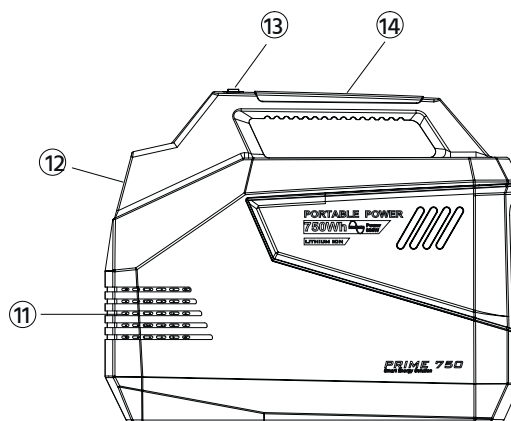
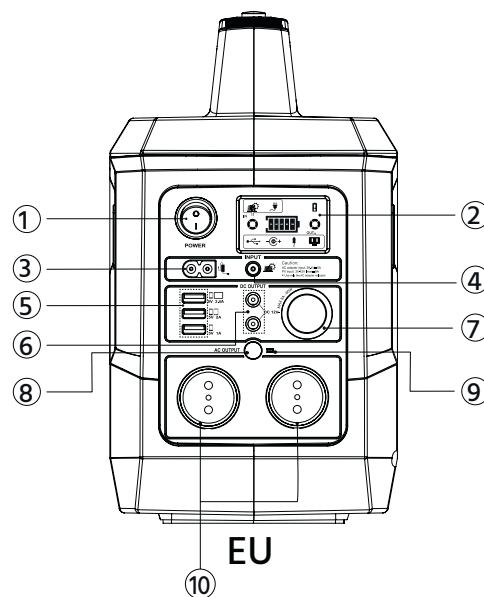
## LED Lighting

	High bright (100% power)
	Normal (50% power)
Multi-mode	Energy saving (25% power)
	Emergency flash
	SOS signal

## General

Dimension (L x W x H)	349 x 160 x 285mm (13,7 x 6,3 x 11,2 inch)
Net Weight	7,6kg (16,7 lbs)
Working Temperature	Discharge: -10 to 45°C (14 to 113°F) Charge: 0 to 45°C (32 to 113°F)
Certification	CE, RoHS, FCC, RCM

\*All technical specifications under testing conditions at 25°C (77°F)



1. ON/OFF switch
2. LCD screen
3. Wall charging port
4. Solar charging port
5. USB outputs
6. 12V DC outputs
7. Cigar lighter output
8. AC power switch
9. AC indicator
10. AC output
11. Fan
12. Emergency light
13. Emergency light switch
14. Handle

Contact your local office or visit [gpbmindustry.com](http://gpbmindustry.com) if you have any questions.

**GPBM Industry**  
Independent Energy Solutions

**Sweden**  
GPBM Nordic AB  
Argongatan 2B  
431 53 Mölndal  
Tel: +46 31-799 16 00  
[industry@gpbmnordic.se](mailto:industry@gpbmnordic.se)

**Denmark**  
GPBM Nordic ApS  
Naverland 2  
12 sal DK-2600 GLOSTRUP  
Tel: +45 70 26 11 04  
[industry@gpbmnordic.dk](mailto:industry@gpbmnordic.dk)

**Finland**  
GPBM Nordic OY  
Teknobulevardi 3-5  
FI-01530 Vantaa  
Tel: +358 2 478 10 00  
[industry@gpbmnordic.fi](mailto:industry@gpbmnordic.fi)

**France**  
GPBM France  
ZAE du Trou Grillon  
91280 Saint Pierre du Perray  
Tél. : +33 1 69 89 62 00  
[info@gpbmfrance.fr](mailto:info@gpbmfrance.fr)

**Italy**  
GPBM Italy S.R.L.  
Via Alessandro Volta 3  
20090 Assago Milano  
Tel: +39 02 488 25 12  
[industry@gpbmitaly.it](mailto:industry@gpbmitaly.it)

**Norway**  
GPBM Nordic AS  
Prof. Birkelandsvei 26B  
1001 Oslo,  
Tel: +47 22 88 30 40  
[industry@gpbmnordic.no](mailto:industry@gpbmnordic.no)