

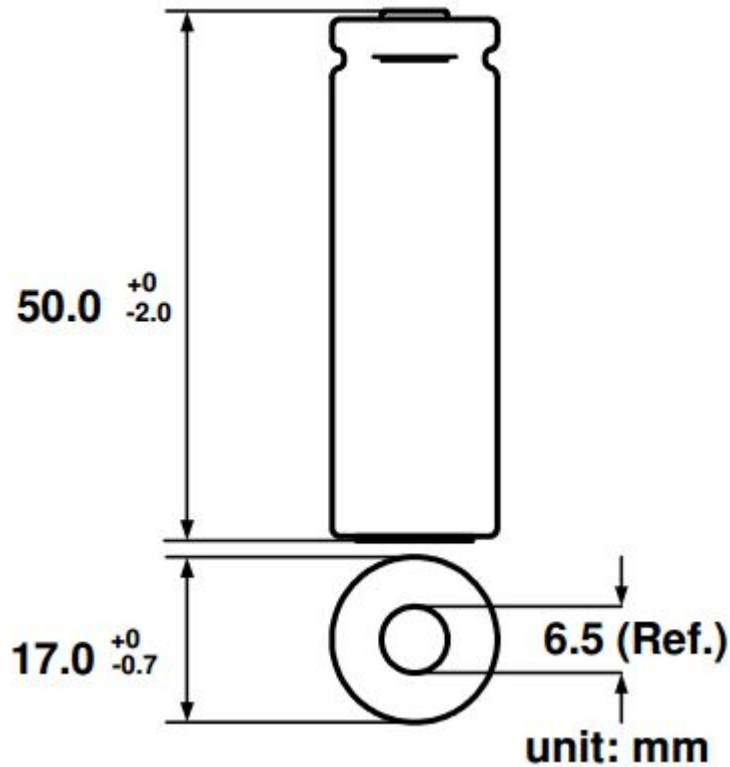


Type	Rechargeable Nickel Metal Hydride NiMH - High Temperature Series
Model	GP210AFHT
Nominal Voltage	1.2V
Size	AF
Nominal Dimension (with sleeve)	Diameter = 17.00mm Height = 50.00mm
Capacity	Typical : 2200mAh When discharged at 420mA to 1.0V at 20?
Charging Condition	Standard mode: 210mA for 16 hrs at 20? Standby intermittent mode: 210mA for 16 hrs at 20? then maintenance with 210mA for 1min/10mins.
Service Life	>500 cycles (IEC standard)
Continuous Overcharge	Comply with IEC standard Permanent Charge Endurance Test
Internal Resistance	Average 23 m Ω upon fully charged (Max. 30m Ω) at 1000Hz
Max. Charging Voltage	1.6V at 210mA charging
Weight	38g
Temperature Range	Discharge : -20 to 70 °C Storage : -20 to 35 °C Storage (1 week): -20~60°C

Applications

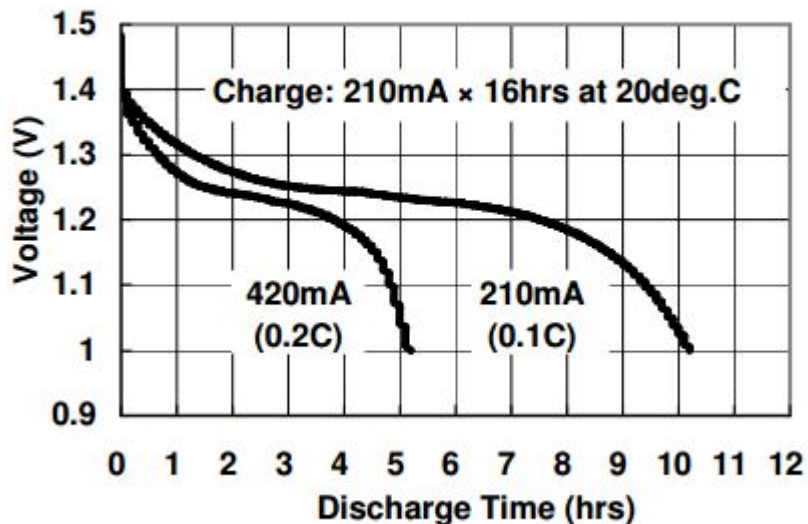
Long term standby use.
Recommended discharge current:
210mA to 1050mA

Drawing

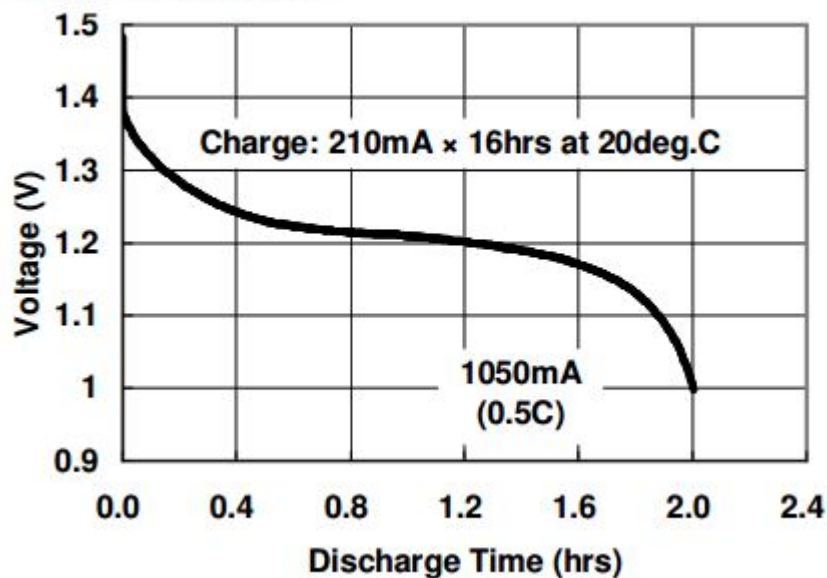


Discharge curve

Low Rate Discharge

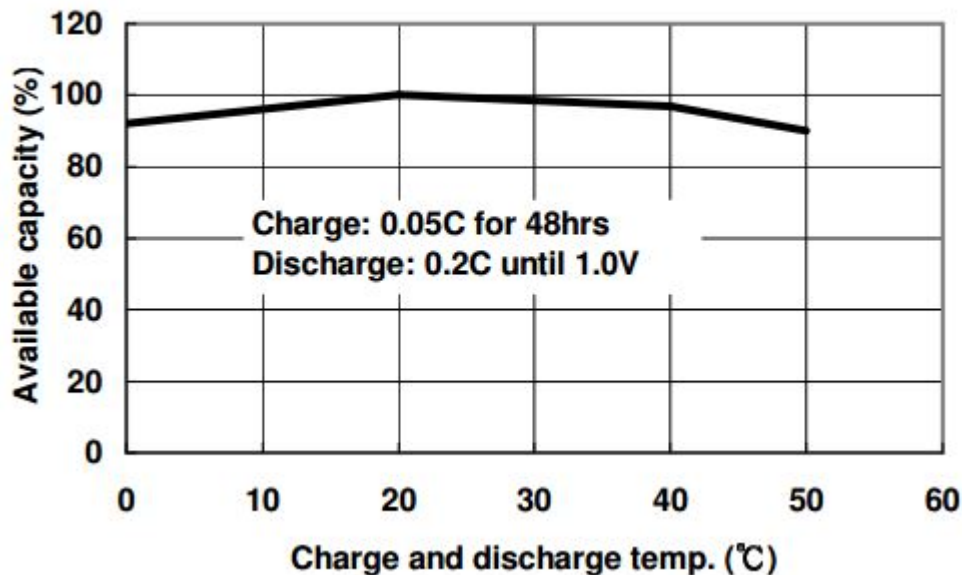


High Rate Discharge



Charge curve

Charge & Discharge efficiency Vs. temp.



Contact

Visit www.gpbmindustry.com for more information.

Providing the best battery solution and customization is our expertise.
For any queries or clarification, please contact info@gpbmindustry.com